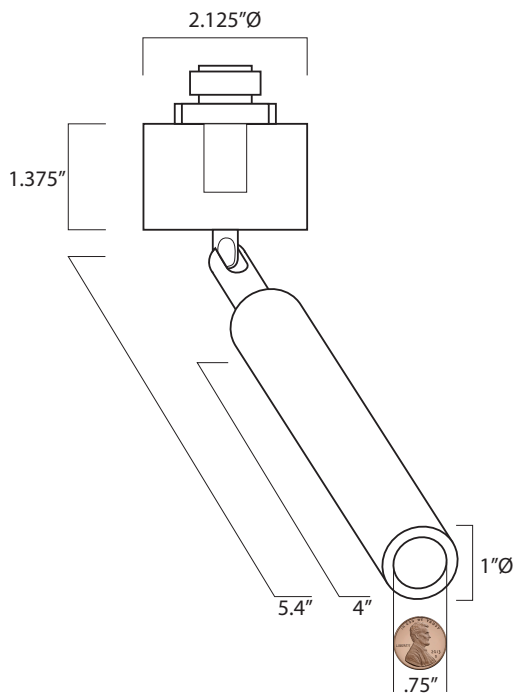
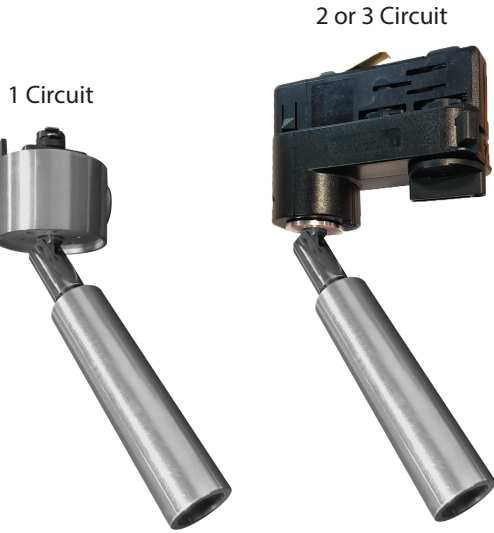
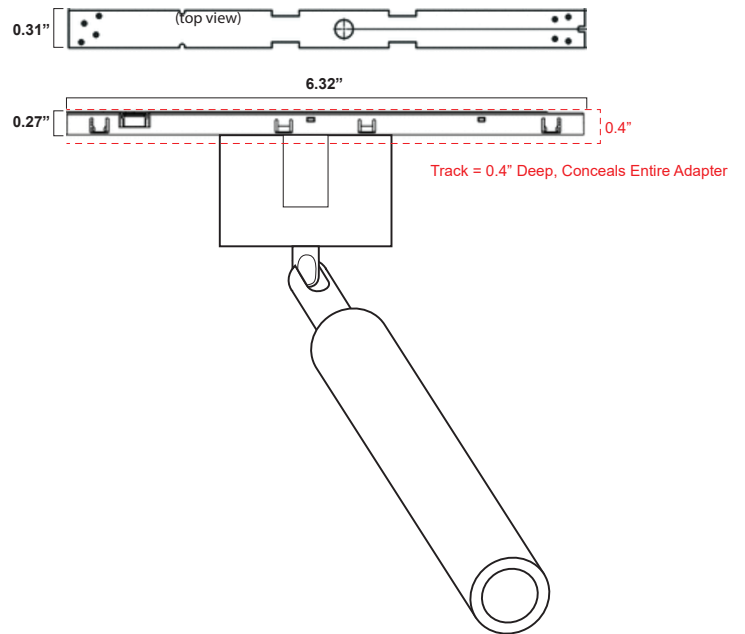
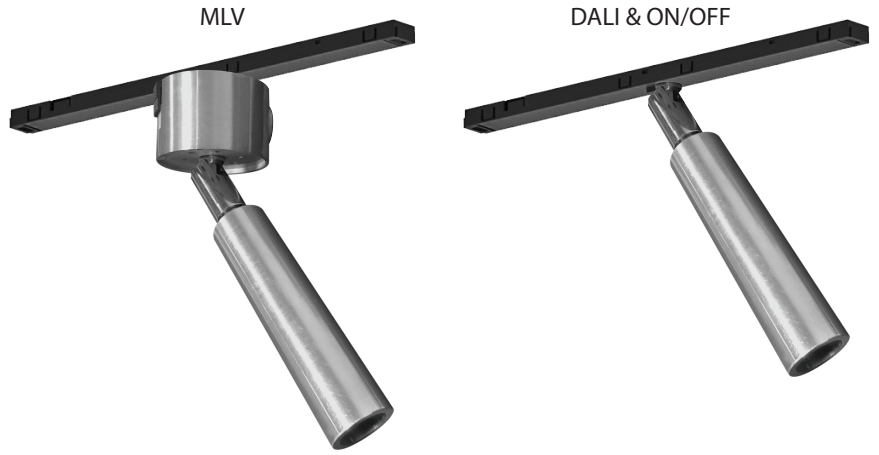


Project Name:		Type:	
Catalog Number:		Date:	

Standard Track Adapter - 12V AC



Micro Data Track Adapter - 48V



Key Features

- 3/4" ID & 1" OD LED Optic
- Fixed 1/2" Recessed Trimless
- 365° Rotation
- Remote Transformer Option
- Over 10,000+ fixture custom color finish options
- 100,000+ L70 life
- Wall or ceiling mount

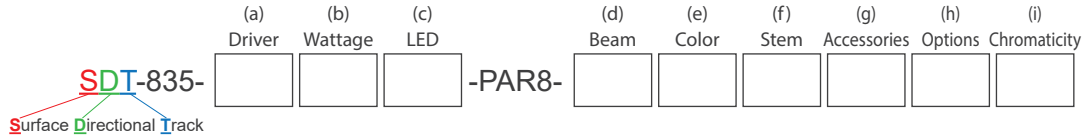
LED Source Details

- CREE XHP50 LED maximum rating = 1,500mA
- Fixture operating milliamp range = 300mA to 700mA.
- Operating 15% to 38% of rated value 20% to 47%
- Fixture wattage range = 5W to 17W
- Fixture delivered lumens = 500 to 1,150 lumens

Patent No.: US 10,208,928 B1
Other Patents Pending

Last revised: 06/17/2024

Project Name:		Type:	
Catalog Number:		Date:	



(a) Driver Options

D	= MLV 1% Dimming (2 wire)
E	= ON/OFF (Electronic)

(b) Wattage Options

7W (500 Lumens)	= MLV <1% Dimming
14W (525 Lumens)	= MLV <1% Dimming

(c) Lamp Type Options

X4LED	= Cree XHP50 LED = 50+% brighter than XLED (available in spot, narrow flood, and flood)
-------	---

(d) Beam Options

SP	= Spot	NFL	= Narrow Flood
FL	= Flood		

(e) Fixture Color Options

BLK	= Black
WHT	= White
PWT	= Pewter

Select Custom Color (Review Website for Over 3,300 Color Options)

(f) Stem Options

S6*	= Stem Size 6"	S18*	= Stem Size 18"
S12*	= Stem Size 12"	CS	= Custom Stem (up to 96" for flat canopy)

*Track only 6", 12", or 18"

(g) Optical and Accessory Options

LS	= Lens Softener - +20% increase in beam width. Shields optical face visually. Softens edges of beam.	
LSL	= Linear Spread Lens - Horizontal or vertical beam elongation.	
WFL	= Wide Flood Lens - Wall washing increases the beam by 50% width with elimination of center beam.	
LV	= Louver - Small black hexcel louver eliminates all surface brightness. Creates stronger vertical cut off with -20% beam width.	
CHL	= Cross Hiar Louver	
H	= Halogen - 100K warmer. 2700k to 2500K	
DH	= Dimmed Halogen - 400K warmer. 2700k to 2300K	

(h) Options

RMT60	= 60Watt 12V AC MLV Step Down Transformer
RMT150	= 150Watt 12V AC MLV Step Down Transformer
RMT300	= 300Watt 12V AC MLV Step Down Transformer
120V	= 120VAC 60Hz (Standard)
277V	= 277VAC 60Hz
80+	= CRI over 80
90+	= CRI over 90
EXT	= Exterior zinc primer with zinc infused paint
AWN	= Athena Wireless Node (use with DALI2)
AWNPNP	= Athena Wireless Node Photocell (use with DALI2)

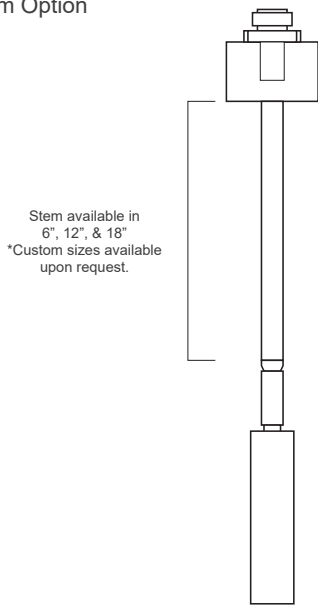
(i) Color Temperature Options

White LED	Colored/Themed LED		
22K*	= 2200 Kelvin (candlelight color)	UV365**	= 365 NM UV black light
27K	= 2700 Kelvin (incandescent color)	UV390**	= 390 NM UV black light
30K	= 3000 Kelvin (halogen color)	Blue**	= 465 - 485 NM wavelength
35K	= 3500 Kelvin (warm incandescent)	Green**	= 520 - 535 NM wavelength
40K	= 4000 Kelvin (cool incandescent)	Amber**	= 585 - 595NM wavelength
50K	= 5000 Kelvin (day white)	Red**	= 620 - 630 NM wavelength
65K	= 6500 Kelvin (12 noon sunlight)		

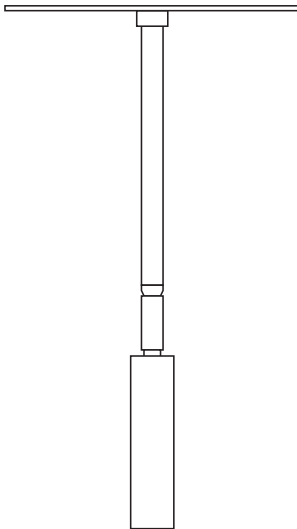
*1050 mA or less **700 mA or less

Project Name:		Type:	
Catalog Number:		Date:	

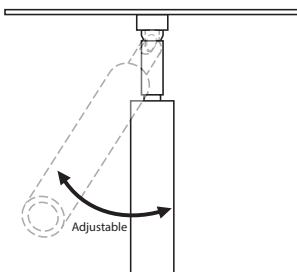
Stem Option



Canopy Plate with Stem Option



Canopy Plate

**Housing**

- 100% aluminum construction

Electrical

- Line Voltage Track - 120V or 277V into remote step down 12V AC low voltage magnetic transformer (D)
- Micro Track - 120V or 277V into Remote 12V AC magnetic low voltage (D) OR
- 24V Constant Voltage into ON/OFF or DALI2 into 48V rated track

Track

- 100% extruded aluminum

Track Adapter

- Micro Track – Stucchi Micro 48V Track Adapter
- Standard Track – Stucchi 120V or 277V ONE Track System Adapter

Track Type Options

- Micro Track – Surface, Round and Recessed
- Standard Track – Surface, Round, Recessed and Trimless

LED

- 3,000mA maximum rated CREE XPL2 LED
- Operates between 450mA to 1200mA
- 15% to 40% of rated mA

LED Driver

- D - .1% magnetic low voltage forward phase dimming
- E - ON and OFF constant current LED driver
- DALI2 - .1% Digital Dali programmable LED dimmable addressable driver

Optics

- TIR discrete injection molded polycarbonate precision LED optic with high center beam candle power with 45-degree vertical cut off visually

Installation

- Open platform

Certification

- UL Damp Listed – IP 52

Warranty

- 5 Year – 5 Year - E & DALI2
- 7 Year – D

SDT-835-PAR8

Vertical Round Track

Project Name:		Type:	
Catalog Number:		Date:	

Wattage & Lumen Output

350 Milliamps - 450 Lumens

5W	ON/OFF
	0-10V 1% Dimming
	ED
7W	MLV <1% Dimming

700 Milliamps

10W	Red - Up to 150 Lumens
	Green - Up to 150 Lumens
	Blue - Up to 150 Lumens
	White - Up to 300 Lumens

525 Milliamps - 600 Lumens

11W	ON/OFF
	0-10V 1% Dimming
	ED
14W	MLV <1% Dimming

700 Milliamps - 900 Lumens

15W	ON/OFF
	0-10V 1% Dimming
	ED
14W	MLV <1% Dimming
	DMX

3 Step CREE XPL2 LED

Kelvin-CRI	Multiplier
27K-80+ CRI	1
27K-90+ CRI	0.80
30K-80+ CRI	1
30K-90+ CRI	0.85
35K-80+ CRI	105
35K-90+ CRI	0.9
40K-80+ CRI	109
50K-80+ CRI	109
65K-80+ CRI	105

80+ = 84 CRI
90+ = 94 CRI

Narrow Flood 26°

2'	559 fc	0.9'
4'	140 fc	1.9'
6'	62 fc	2.8'
8'	35 fc	3.7'
10'	22 fc	4.7'
12'	16 fc	5.6'

11W PAR8 - 670 lm

Flood 40°

2'	402 fc	1.5'
4'	101 fc	2.9'
6'	45 fc	4.4'
8'	25 fc	5.9'
10'	16 fc	7.4'
12'	11 fc	8.8'

11W PAR8 - 670 lm

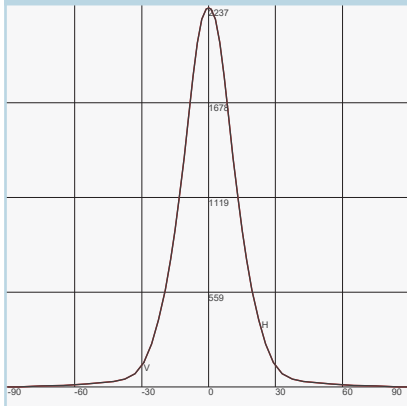
Zonal Flux and Percentages

Zone	%Luminaire
0-20	63
0-30	83.3
0-40	89.8
0-60	95.8
0-80	99.2
0-90	100
10-90	77.9
20-40	26.7
20-50	30.6
40-70	8
60-80	3.4
70-80	1.4
80-90	0.8

Zonal Flux and Percentages

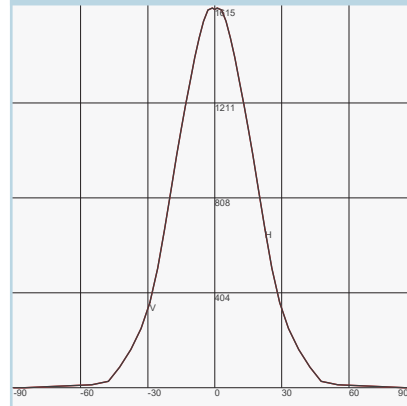
Zone	%Luminaire
0-20	47.3
0-30	74.3
0-40	88.5
0-60	97.5
0-80	99.5
0-90	100
10-90	87.1
20-40	41.2
20-50	48.7
40-70	10.1
60-80	2
70-80	0.9
80-90	0.5

Axial Candela Display



Maximum Candela = 2237 Located At Horizontal Angle = 0, Vertical Angle = 0
H - Horizontal Axial Candela
V - Vertical Axial Candela

Axial Candela Display



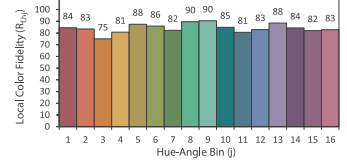
Maximum Candela = 1615 Located At Horizontal Angle = -1, Vertical Angle = 0
H - Horizontal Axial Candela
V - Vertical Axial Candela

Project Name:		Type:	
Catalog Number:		Date:	

Clarté Lighting 3000K 80+ CRI Color Metrics



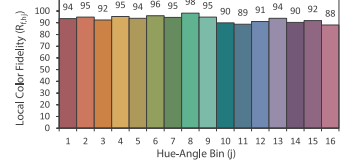
CIE 13.3-1995 (CRI)
 R_a 86
 R_g 29



Clarté Lighting 3000K 90+ CRI Color Metrics



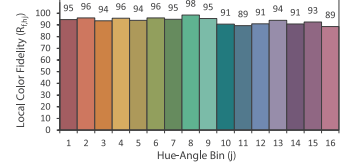
CIE 13.3-1995 (CRI)
 R_a 95
 R_g 74



Clarté Lighting 3000K 90+ CRI Halogen Lens (H) Color Metrics



CIE 13.3-1995 (CRI)
 R_a 96
 R_g 79



Clarté Lighting 3000K 90+ CRI Dimmed Halogen Lens (DH) Color Metrics



CIE 13.3-1995 (CRI)
 R_a 95
 R_g 64

