

# RR1-189-PAR8-TL-X2

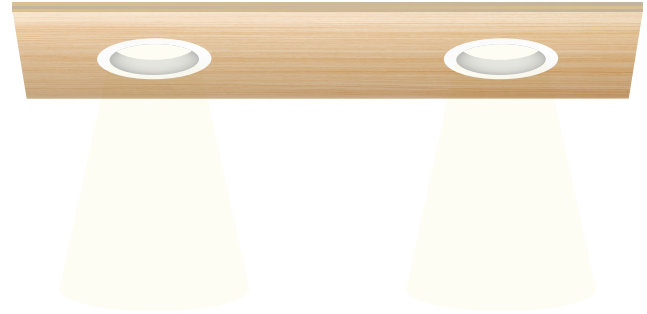
2-Lamp 3/4" Trimless Fixture

Project Name:		Type:	
Catalog Number:		Date:	

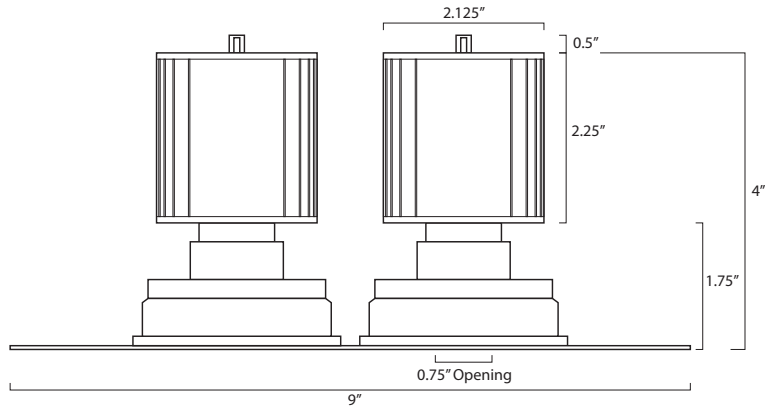
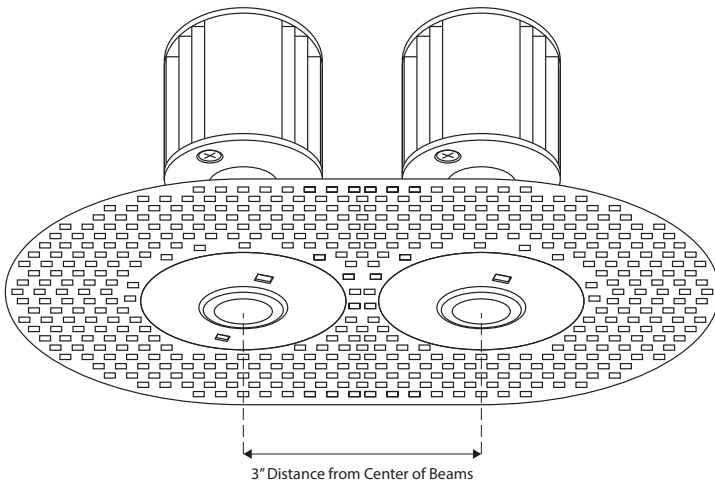
Trimless - Plaster (TLP)



Trimless - Wood (TLW)



Trimless - Plaster (TLP)



### Key Features

- 0.75" ID
- Fixed Trimless Plaster
- NON IC
- Remote Transformer
- 0.03" Trimless Screen Edge
- 100,000+ L70 life

### LED Source Details

- CREE XHP50 LED maximum rating = 1,500mA
- Fixture operating milliamp range = 300mA to 700mA.
- Operating 15% to 38% of rated value 20% to 47%
- Fixture wattage range = 5W to 17W
- Fixture delivered lumens = 500 to 1,150 lumens
- Calculated L70 CREE LED Life – 145,000 hrs\*
- Projected L70 CREE LED Life – 315,000 hrs\*

\*CREE calculated from XHP502 LM80 and TM21 data

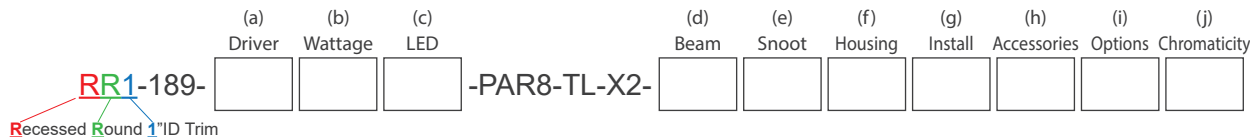
Patent No.: US 10,208,928 B1

Last revised: 06/19/2024

# RR1-189-PAR8-TL-X2

2-Lamp 3/4" Trimless Fixture

Project Name:		Type:	
Catalog Number:		Date:	



Recessed Round 1" ID Trim

**(a) Driver Options**

- E = ON/OFF (Electronic)
- D = MLV 1% Dimming (2 wire)
- DC12V = .01% PWM DC dimming (2 wire)
- DC24V = .01% PWM DC dimming (2 wire)
- ED = Electronic Reverse Phase Dimming 1% (2 wire)
- 0-10V1 = 0-10V 1% Dimming (3 wire)
- 0-10V\* = Remote mount 4 wire 0-10V LED driver single fixture
- 0-10V 2 = Remote mount 4 wire 0-10V driver for up to 2 fixtures
- 0-10V 3 = Remote mount 4 wire 0-10V driver for up to 3 fixtures
- 0-10V 4\*\* = Remote mount 4 wire 0-10V driver for up to 4 fixtures
- 0-10V MRI\*\*\* = 0-10V Dimming with 100bd Filter
- RDM DMX = 16 Bit, 4 Channel (2 wire with CAT5)
- ABS = Non-DMX Absolute Light .001% RGBW dimming
- ABSX = DMX Absolute Light .001% RGBW dimming

\*Remote single 0-10V LED driver up to 18' away 18ga and 50' away 12ga  
 \*\*Remote 0-10V LED driver operates up to 4 fixtures up to 18' away 18ga and 50' away 12ga  
 \*\*\*Operates up to 4 recessed LED light fixtures for MRI room installation with remote LED driver

**(b) Wattage Options**

- 5W (500 Lumens) = ON/OFF, 0-10V 1%, ED\*
- 7W (500 Lumens) = MLV <1% Dimming
- 10W (000 Lumens) = ABS
- 11W (525 Lumens) = ON/OFF, 0-10V 1%, ED\*
- 14W (525 Lumens) = MLV <1% Dimming
- 15W (1150 Lumens) = ON/OFF, 0-10V 1%, ED\*
- 17W (1150 Lumens) = MLV <1% Dimming, DMX

\*Only with no accessories.

**(c) Lamp Type Options**

X4LED = Cree XHP50 LED = 50+% brighter than XLED (available in spot, narrow flood, and flood)

**(d) Beam Options**

- SP = Spot
- FL = Flood
- NFL = Narrow Flood

**(e) Snoot Color Options**

- BLKS = Black Snoot
- WHTS = White Snoot
- PWTS = Pewter Snoot

**(f) Fixture Housing Options**



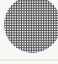



**Non-IC Rated:**  
 RMT = No housing, no frame, remote transformer spring clip loaded trim  
 NIC = Frame and junction box to be used with trim version

**IC Rated:**  
 AH = 8" x 8" Architectural housing to be used with trimmed or level plane installation

**(g) Installation Options**

- TLP = Trimless Plaster
- TLW = Trimless Wood

**(h) Optical and Accessory Options**

- LS = Lens Softener - +20% increase in beam width. Shields optical face visually. Softens edges of beam. 
- LSL = Linear Spread Lens - Horizontal or vertical beam elongation. 
- WFL = Wide Flood Lens - Wall washing increases the beam by 50% width with elimination of center beam. 
- LV = Louver - Small black hexcel louver eliminates all surface brightness. Creates stronger vertical cut off with -20% beam width. 
- CHL = Cross Hiar Louver 
- H = Halogen - 100K warmer. 2700k to 2500K 
- DH = Dimmed Halogen - 400K warmer. 2700k to 2300K

**(i) Options**

- RMT14 = 14Watt 12V AC MLV Step Down Transformer
- RMT60 = 60Watt 12V AC MLV Step Down Transformer
- RMT150 = 150Watt 12V AC MLV Step Down Transformer
- RMT300 = 300Watt 12V AC MLV Step Down Transformer
- 120V = 120VAC 60Hz (Standard)
- 230V = 230VAC 50Hz
- 277V = 277VAC 60Hz
- 347V = 347VAC 60Hz
- EMG = 90min Emergency Back-Up Battery
- TB = DMX 5-pin Plug-in Terminal Block
- RET\* = Bi-pin whip to plug Clarté LED trim module into existing MLV transformed recessed halogen MR16 fixtures.
- 80+ = CRI over 80
- 90+ = CRI over 90
- EXT = Exterior zinc primer with zinc infused paint

\*Eliminate the need to install new 12V AC step down transformer, Clarté LED trim installs like changing a lamp.

**(j) Color Temperature Options**

- |  |                                     |                                     |
|--|-------------------------------------|-------------------------------------|
| <b>White LED</b>                       |                                     | <b>Colored/Themed LED</b>           |
| 27K = 2700 Kelvin (incandescent color) | available soon                      | UV365** = 365 NM UV black light     |
| 30K = 3000 Kelvin (halogen color)      |                                     | UV390** = 390 NM UV black light     |
| 35K = 3500 Kelvin (warm incandescent)  |                                     | Blue* = 465 - 485 NM wavelength     |
| 40K = 4000 Kelvin (cool incandescent)  |                                     | Green* = 520 - 535 NM wavelength    |
| 50K = 5000 Kelvin (day white)          |                                     | Amber* = 585 - 595NM wavelength     |
| 65K = 6500 Kelvin (12 noon sunlight)   |                                     | Red* = 620 - 630 NM wavelength      |
|  |                                     | RGBW3K*** = Red, Green, Blue, White |
|  | RGBW4K*** = Red, Green, Blue, White |                                     |

\*1050 mA or less

\*\*700 mA or less

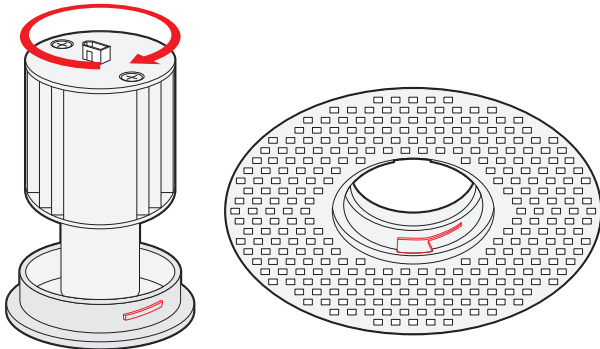
\*\*\*Must utilize DMX fixture option

# RR1-189-PAR8-TL-X2

2-Lamp 3/4" Trimless Fixture

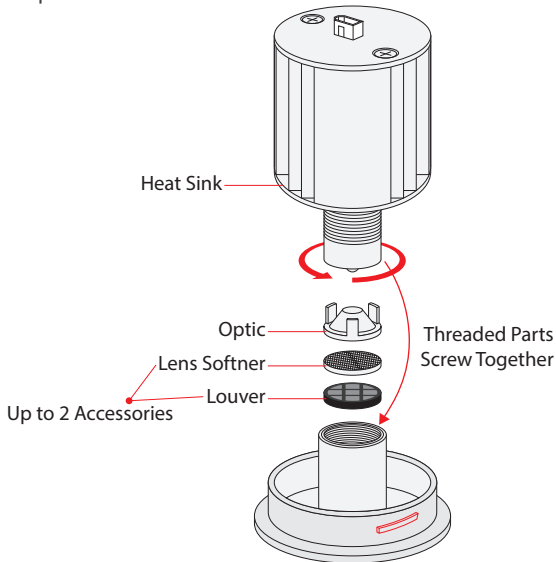
Project Name:		Type:	
Catalog Number:		Date:	

## 2-Part Design

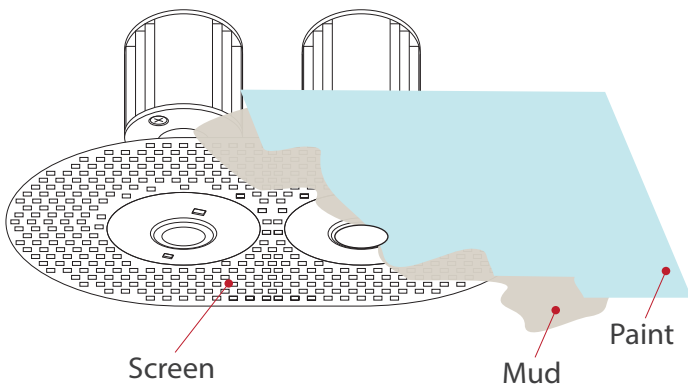


Quick and easy install.  
Line up slots and twist.

## Exploded View of Parts



## Quick Install Diagram



### Electrical

- Optional - 12V AC remote class 2
- Optional - 12V or 24 DC remote class 2
- 100V, 120V, 230V, or 277V

### Heat Sync

- 100% extruded aluminum construction

### LED

- 1,500 maximum milliamp rated CREE XHP50 LED
- Operates between 450 to 700 milliamps
- L70 life = 100,000 hr.+

### LED Driver

- D – 2 wire forward phase .01% LED driver fade to off glow to on
- ED – 2 wire reverse phase 1% LED driver
- DC – 12V or 24V
- 0-10V – 3 wire 1% LED driver
- Absolute Light – Remote mount class 2 48V din rail .001% LED system
- 16-bit RMD DMX – 65,536 dimming steps fade to off glow to on

### Optics

- TIR discrete injection molded polycarbonate precision LED optic
- 45-degree vertical cut off

### Accessories

- Up to 2 accessories

### Trimless

- 0.03" Screen Edge
- 2-Part design for easy access to LED or driver

### Certification

- UL Damp Listed – IP 52 – Open trim

### Warranty

- 5 Year – ED, 0-10V, DMX and colored LED fixtures
- 7 Year – D and White LED fixtures

# RR1-189-PAR8-TL-X2

2-Lamp 3/4" Trimless Fixture

Project Name:		Type:	
Catalog Number:		Date:	

### Wattage & Lumen Output

#### 300 Milliamps - 500 Lumens

5W	ON/OFF
	0-10V 1% Dimming
	ED
7W	MLV <1% Dimming

#### 700 Milliamps

10W	Red - Up to 150 Lumens
	Green - Up to 150 Lumens
	Blue - Up to 150 Lumens
	White - Up to 300 Lumens

#### 525 Milliamps - 900 Lumens

11W	ON/OFF
	0-10V 1% Dimming
	ED
14W	MLV <1% Dimming

#### 700 Milliamps - 1150 Lumens

15W	ON/OFF
	0-10V 1% Dimming
	ED
14W	MLV <1% Dimming
	DMX

### 3 Step CREE XPL2 LED

Kelvin-CRI	Multiplier
27K-80+ CRI	1
27K-90+ CRI	0.80
30K-80+ CRI	1
30K-90+ CRI	0.85
35K-80+ CRI	105
35K-90+ CRI	0.9
40K-80+ CRI	109
50K-80+ CRI	109
65K-80+ CRI	105

80+ = 84 CRI  
90+ = 94 CRI

### Narrow Flood 26°

2'	559 fc	0.9'
4'	140 fc	1.9'
6'	62 fc	2.8'
8'	35 fc	3.7'
10'	22 fc	4.7'
12'	16 fc	5.6'

11W PAR8 - 670 lm

### Flood 40°

2'	402 fc	1.5'
4'	101 fc	2.9'
6'	45 fc	4.4'
8'	25 fc	5.9'
10'	16 fc	7.4'
12'	11 fc	8.8'

11W PAR8 - 670 lm

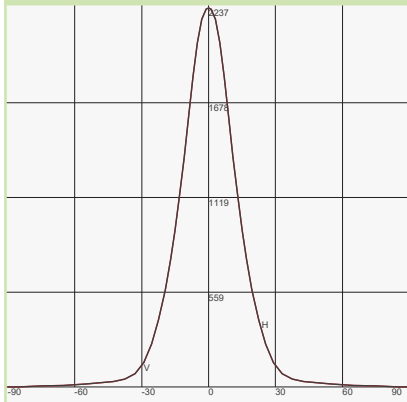
### Zonal Flux and Percentages

Zone	%Luminaire
0-20	63
0-30	83.3
0-40	89.8
0-60	95.8
0-80	99.2
0-90	100
10-90	77.9
20-40	26.7
20-50	30.6
40-70	8
60-80	3.4
70-80	1.4
80-90	0.8

### Zonal Flux and Percentages

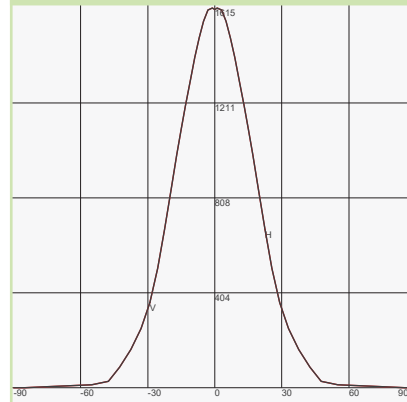
Zone	%Luminaire
0-20	47.3
0-30	74.3
0-40	88.5
0-60	97.5
0-80	99.5
0-90	100
10-90	87.1
20-40	41.2
20-50	48.7
40-70	10.1
60-80	2
70-80	0.9
80-90	0.5

### Axial Candela Display



Maximum Candela = 2237 Located At Horizontal Angle = 0, Vertical Angle = 0  
H - Horizontal Axial Candela  
V - Vertical Axial Candela

### Axial Candela Display



Maximum Candela = 1615 Located At Horizontal Angle = -1, Vertical Angle = 0  
H - Horizontal Axial Candela  
V - Vertical Axial Candela

# Clarté Lighting

## RR1-189-PAR8-TL-X2

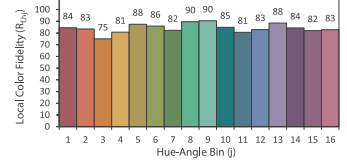
2-Lamp 3/4" Trimless Fixture

Project Name:		Type:	
Catalog Number:		Date:	

### Clarté Lighting 3000K 80+ CRI Color Metrics



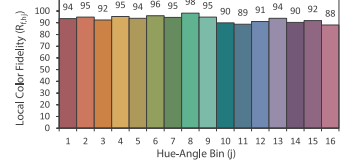
CIE 13.3-1995 (CRI)  
 $R_a$  86  
 $R_g$  29



### Clarté Lighting 3000K 90+ CRI Color Metrics



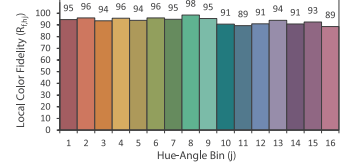
CIE 13.3-1995 (CRI)  
 $R_a$  95  
 $R_g$  74



### Clarté Lighting 3000K 90+ CRI Halogen Lens (H) Color Metrics



CIE 13.3-1995 (CRI)  
 $R_a$  96  
 $R_g$  79



### Clarté Lighting 3000K 90+ CRI Dimmed Halogen Lens (DH) Color Metrics



CIE 13.3-1995 (CRI)  
 $R_a$  95  
 $R_g$  64

