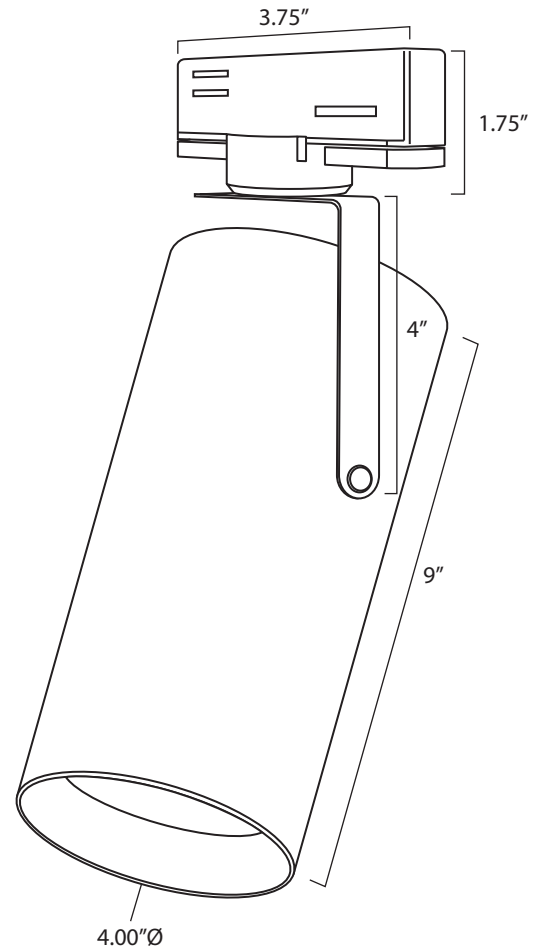


Project Name:		Type:	
Catalog Number:		Date:	

# MUSEUM

COLLECTION ■ TRACK



### Key Features

- 4" OD
- Up to 4 accessories
- Remote transformer optoin
- Over 10,000+ fixture custom color finish options
- 100,000+ hr L70 life
- Wall or ceiling mount

### LED Source Details

CREE XML2 LED maximum rating 3,000 mA

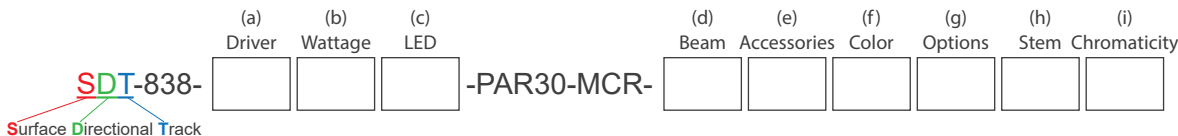
- Fixture operating milliamps = 700 mA – 1600 mA
- Operating 23% - 53% of rated value
- Fixture delivered lumens = up to 3,911 lumens

Last revised: 05/13/2024

# SDT-838-PAR30-MCR

Surface Directional Track - Museum Collection Round

Project Name:		Type:	
Catalog Number:		Date:	



**(a) Driver Options**

D = MLV 1% Dimming (2 wire)

**(b) Wattage Options**

35W (700mA, 2000 Lumens) = MLV <1% Dimming  
 48W (3300mA, 3300 Lumens) = MLV <1% Dimming

**(c) LED Type Options**

XLED = Cree XPL2 LED @ All Wattages

**(d) Beam Options**

NSP = Narrow Spot      NFL = Narrow Flood  
 SP = Spot                FL = Flood

**(e) Optical and Accessory Options**

LS = Lens Softener - +20% increase in beam width. Shields optical face visually. Softens edges of beam.

LSL = Linear Spread Lens - Horizontal or vertical beam elongation.

WFL = Wide Flood Lens - Wall washing increases the beam by 50% width with elimination of center beam.

LV = Louver - Hexcel louver eliminates all surface brightness. Creates stronger vertical cut off with -20% beam width.

CHL = Cross Hair Louver

H = Halogen - 150K warmer. 2700k to 2550K

DH = Dimmed Halogen - 300K warmer. 2700k to 2400K

**(f) Fixture Color Options**

BLK = Black  
 WHT = White  
 PWT = Pewter  
 Select Custom Color (Review Website for Over 3,300 Color Options)

**(g) Track Adapter Options**

2C 120V = 2 circuit 120V      2C 230 = 2 circuit 230V  
 2C 277 = 2 circuit 277V

**(h) Options**

BTS = Black Tapered Snoot  
 WTS = White Tapered Snoot  
 WBTS = White Exterior / Black Interior  
 WWSN = Wall Wash Snoot  
 80+ = CRI over 80  
 90+ = CRI over 90  
 120V = 120VAC 60Hz (Standard)  
 230V = 230VAC 50Hz (Used in conjunction with 230V track)  
 277V = 277VAC 60Hz (Used in conjunction with 277V track)  
 FCP = Flat Canopy Plate  
 CP = Canopy Plate  
 C\* = C-Clamp  
 PL\* = Coil Grounded Plug

**(i) Stem Options**

S6\* = Stem Size 6"      S18 = Stem Size 18"  
 S12\* = Stem Size 12"      S24 = Stem Size 24"  
 CS = Custom Stem (up to 96")

\*Track only 6" or 12"

**(j) Color Temperature Options**

<b>White LED</b>	<b>Colored/Themed LED</b>
22K* = 2200 Kelvin (candlelight color)	UV275*** = 275 NM UV virus sterilizer
27K = 2700 Kelvin (incandescent color)	UV365*** = 365 NM UV black light
30K = 3000 Kelvin (halogen color)	UV390*** = 390 NM UV black light
35K = 3500 Kelvin (warm incandescent)	Blue*** = 465 - 485 NM wavelength
40K = 4000 Kelvin (cool incandescent)	Green*** = 520 - 535 NM wavelength
50K = 5000 Kelvin (day white)	Amber*** = 585 - 595NM wavelength
60K = 6500 Kelvin (12 noon sunlight)	Red*** = 620 - 630 NM wavelength
	**500 mA
	***700 mA

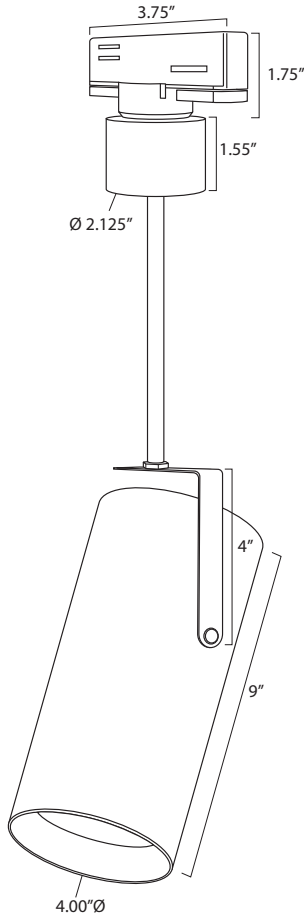
\*1050 mA or less

# SDT-838-PAR30-MCR

Surface Directional Track - Museum Collection Round

Project Name:		Type:	
Catalog Number:		Date:	

Stem Option



**Housing**

- 100% aluminum construction

**Electrical**

- Optional - 12V AC remote class 2
- 120V, 230V or 277V

**LED**

- 3,000mA maximum rated CREE XPL2 LED
- Operates between 450 to 1200mA
- 15% to 40% of rated mA

**LED Driver**

- D – 2 wire forward phase .01% LED driver fade to off glow to on
- AC – 2 wire 12V AC

**Optics**

- TIR discrete injection molded polycarbonate precision LED optic
- 45-degree vertical cut off

**Installation**

Track Adapter

- 1C - H type single circuit
- 2C 120 - 2 circuit 120V
- 2C 277 – 2 circuit 277V

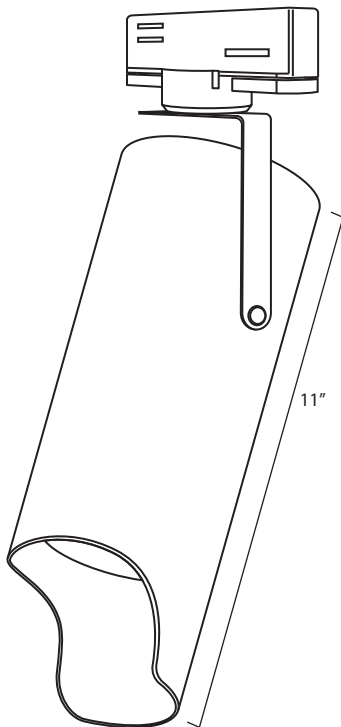
**Certification**

- UL Damp Listed – IP 52

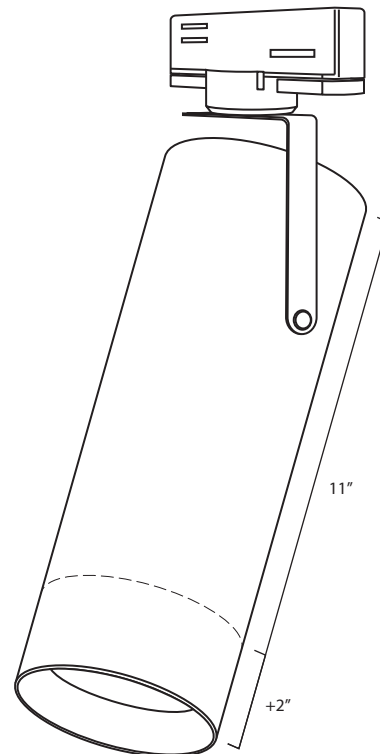
**Warranty**

- 7 Year – D and White LED fixtures

Wall Wash Scoop Option



Extended Snoot Option



# SDT-838-PAR30-MCR

Surface Directional Track - Museum Collection Round

Project Name:		Type:	
Catalog Number:		Date:	

### Wattage & Lumen Output

<b>700 Milliamps - 1800 Lumens</b> 22W	<b>1000 Milliamps - 2500 Lumens</b> 33W	<b>1200 Milliamps - 3100 Lumens</b> 42W	<b>1400 Milliamps - 3400 Lumens</b> 46W	<b>1600 Milliamps - 3900 Lumens</b> 55W
---	--	--	--	--

### 3 Step CREE XPL2 LED

Kelvin-CRI	Multiplier
27K-80+ CRI	1
27K-90+ CRI	0.80
30K-80+ CRI	1
30K-90+ CRI	0.85
35K-80+ CRI	1.05
35K-90+ CRI	0.9
40K-80+ CRI	1.09
50K-80+ CRI	1.09
65K-80+ CRI	1.05
80+ = 84 CRI	
90+ = 94 CRI	

### Spot 19°

4'	1,370 fc	1.4'
6'	609 fc	2.1'
8'	342 fc	2.8'
10'	219 fc	3.5'
12'	152 fc	4.2'
20'	55 fc	7.0'
26.7'	31 fc	9.4'
40'	14 fc	14.0'

55W PAR30 - 3,607 lm

### Narrow Spot 12°

2'	11,097 fc	0.4'
4'	2,774 fc	0.9'
6'	1,233 fc	1.3'
8'	694 fc	1.7'
10'	444 fc	2.1'
12'	308 fc	2.6'

55W PAR30 - 3,372 lm

### Narrow Flood 22°

4'	1,192 fc	1.5'
6'	530 fc	2.2'
8'	298 fc	2.9'
10'	191 fc	3.6'
12'	132 fc	4.4'
20'	48 fc	7.3'
26.7'	27 fc	9.7'
40'	12 fc	14.5'

55W PAR30 - 3,481 lm

### Flood 32°

4'	403 fc	2.3'
6'	179 fc	3.4'
8'	101 fc	4.5'
10'	65 fc	5.7'
12'	45 fc	6.8'
20'	16 fc	11.3'
26.7'	9 fc	15.1'
40'	4 fc	22.7'

55W PAR30 - 3,245 lm

### Intensity Summary (cd)

Gamma	All Planes	Flux (lm)
0	44389	
5	27240	1963
10	9044	
15	2798	872
20	854	
25	440	214
30	285	
35	211	135
40	172	
45	133	105
50	102	
55	57	56
60	45	
65	29	25
70	3	
75	1	1
80	1	
85	0	0
90	0	

### Intensity Summary (cd)

Gamma	All Planes	Flux (lm)
0	19074	
5	16233	1332
10	9848	
15	5190	1461
20	2626	
25	1289	620
30	632	
35	329	220
40	211	
45	146	114
50	98	
55	57	55
60	42	
65	27	26
70	14	
75	9	10
80	6	
85	2	3
90	0	

### Intensity Summary (cd)

Gamma	All Planes	Flux (lm)
0	6451	
5	5949	529
10	4754	
15	3424	944
20	2326	
25	1552	720
30	1033	
35	639	405
40	368	
45	227	181
50	145	
55	88	83
60	58	
65	39	39
70	21	
75	14	15
80	9	
85	4	4
90	0	

### Zonal Flux and Percentages

Zone	Flux (lm)	%Luminaire
0-30	3049	90.4
0-40	3784	94.4
0-60	3345	99.2
0-90	3372	100.0
40-90	188	5.6
60-90	27	0.8
90-180	0	0.0
0-180	3372	100.0

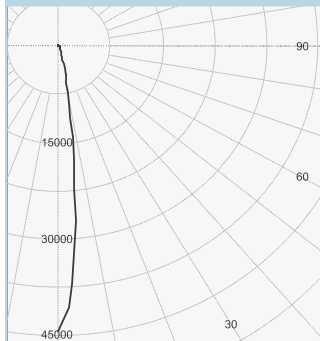
### Zonal Flux and Percentages

Zone	Flux (lm)	%Luminaire
0-30	3413	88.8
0-40	3633	94.6
0-60	3802	99.0
0-90	3840	100.0
40-90	208	5.4
60-90	39	1.0
90-180	0	0.0
0-180	3841	100.0

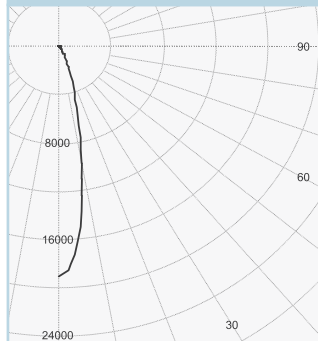
### Zonal Flux and Percentages

Zone	Flux (lm)	%Luminaire
0-30	2193	75.1
0-40	2598	89.0
0-60	2862	98.0
0-90	2919	100.0
40-90	321	11.0
60-90	58	2.0
90-180	0	0.0
0-180	2919	100.0

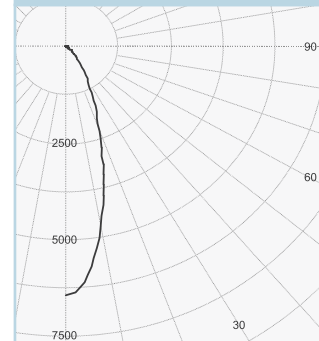
### All planes - Solid (cd)



### All planes - Solid (cd)



### All planes - Solid (cd)

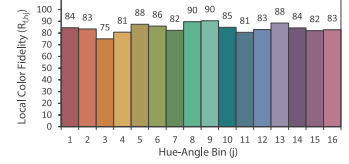


Project Name:		Type:	
Catalog Number:		Date:	

Clarté Lighting 3000K 80+ CRI Color Metrics



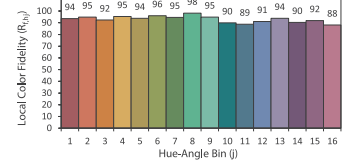
CIE 13.3-1995 (CRI)  
 $R_a$  86  
 $R_g$  29



Clarté Lighting 3000K 90+ CRI Color Metrics



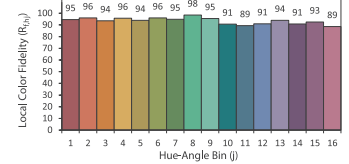
CIE 13.3-1995 (CRI)  
 $R_a$  95  
 $R_g$  74



Clarté Lighting 3000K 90+ CRI Halogen Lens (H) Color Metrics



CIE 13.3-1995 (CRI)  
 $R_a$  96  
 $R_g$  79



Clarté Lighting 3000K 90+ CRI Dimmed Halogen Lens (DH) Color Metrics



CIE 13.3-1995 (CRI)  
 $R_a$  95  
 $R_g$  64

