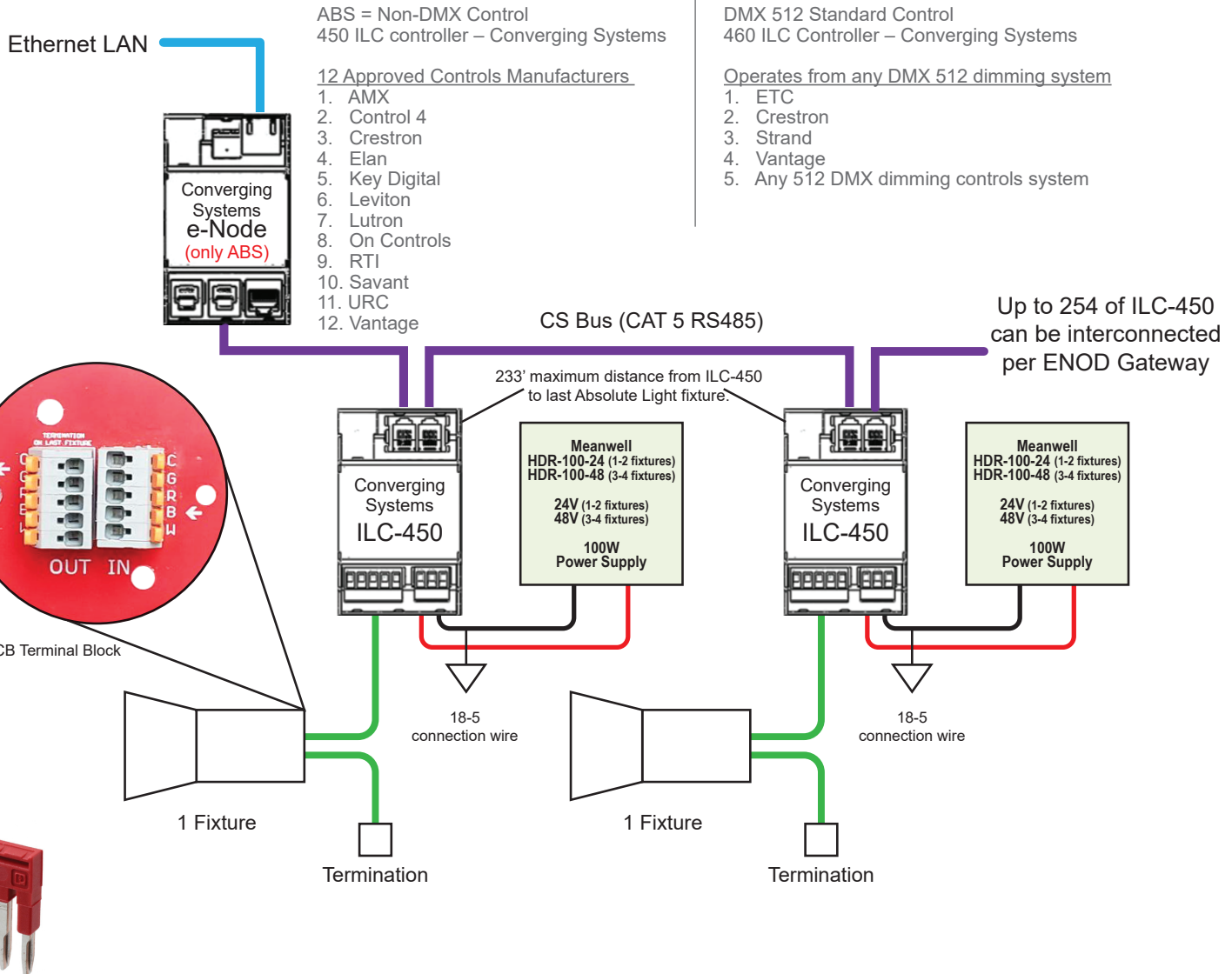


Absolute Light™ PAR38 Scale Wiring Schematic (1 Optic per Current Controller)

Clarté Lighting's Absolute Light can be specified and installed with any Clarté Lighting recessed, surface, or recessed slot multiple in a PAR8, PAR16, PAR20, PAR30, or PAR38 scale optic.



Provided by Clarté:
Phoenix Contact
5 Position Terminal Block,
Cross Connection Jumper
Flat Pins

- Absolute Light provided by Clarté
- WAGO PCB Terminal Block provided by Clarté
- Phoenix Contact Terminal Block provided by Clarté
- Single Termination Plug provided by Clarté
- e-Node & ILC-450 provided by Converging Systems
- 18-5 Wire provided by integrators
- Controls provided by *Approved Controls Manufacturers