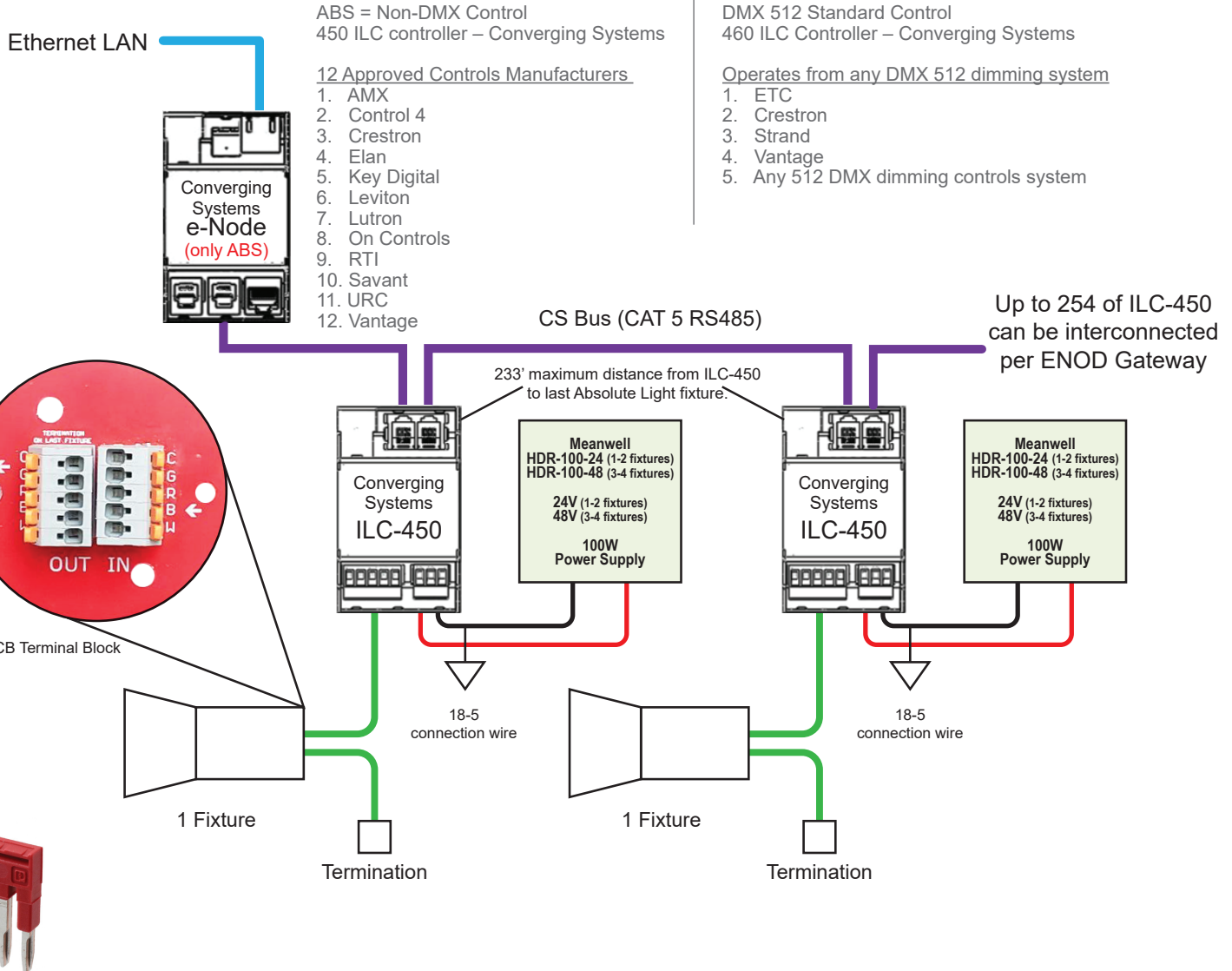


## Absolute Light™ PAR30 Scale Wiring Schematic (1 Optic per Current Controller)

Clarté Lighting's Absolute Light can be specified and installed with any Clarté Lighting recessed, surface, or recessed slot multiple in a PAR8, PAR16, PAR20, PAR30, or PAR38 scale optic.



ABS = Non-DMX Control  
450 ILC controller – Converging Systems

12 Approved Controls Manufacturers

1. AMX
2. Control 4
3. Crestron
4. Elan
5. Key Digital
6. Leviton
7. Lutron
8. On Controls
9. RTI
10. Savant
11. URC
12. Vantage

DMX 512 Standard Control  
460 ILC Controller – Converging Systems

Operates from any DMX 512 dimming system

1. ETC
2. Crestron
3. Strand
4. Vantage
5. Any 512 DMX dimming controls system

**Provided by Clarté:**  
Phoenix Contact  
5 Position Terminal Block,  
Cross Connection Jumper  
Flat Pins

- Absolute Light provided by Clarté
- WAGO PCB Terminal Block provided by Clarté
- Phoenix Contact Terminal Block provided by Clarté
- Single Termination Plug provided by Clarté
- e-Node & ILC-450 provided by Converging Systems
- 18-5 Wire provided by intergrators
- Controls provided by \*Approved Controls Manufacturers