

MR1-633-PAR20

8.4W Two LED Recessed Directional 4" Diameter PAR20
Plaster Ceiling Trim-Less Installation Instructions

CLARTÉ™ LIGHTING

CAUTION! READ AND FOLLOW ALL SAFETY AND INSTALLATION INSTRUCTIONS CAREFULLY. TURN OFF ELECTRICAL POWER BEFORE STARTING INSTALLATION.

WARNING - Before starting installation, disconnect power by turning off the circuit breaker or by removing the appropriate fuse at the fuse box. Do not install any luminaire assembly closer than 6" from any curtain or similar combustible materials. Risk of fire or electric shock. Luminaire wiring and electrical parts may be damaged when drilling for installation of LED retrofit kit. Check for enclosed wiring and components. Risk of fire or electric shock. LED Retrofit Kit installation requires knowledge of luminaires electrical systems. If not qualified, do not attempt installation. Contact a qualified electrician. Risk of fire or electric shock. Install this kit only in luminaires that have the construction features and dimensions shown in the photographs and/or drawings and where the input rating of the retrofit kit does not exceed the input rating of the luminaire. To prevent wiring damage or abrasion, do not expose wiring to edges of sheet metal or other sharp objects. Do not make or alter any open holes in an enclosure of wiring or electrical components during kit installation. **Consult a qualified electrician before installing. Work should be performed by qualified personnel.**

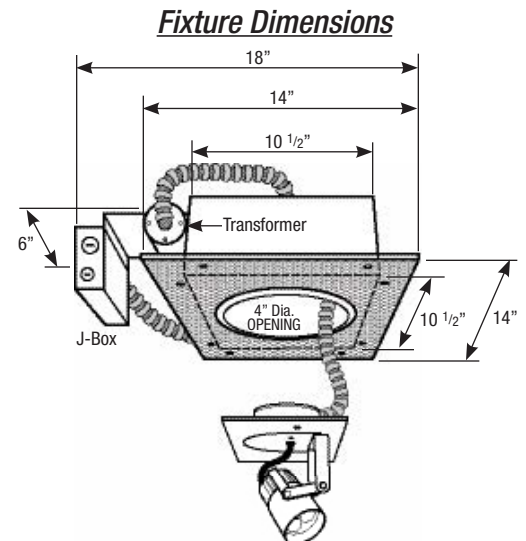
Suitable to install on "Dimming Circuits".

SAVE THESE INSTRUCTIONS

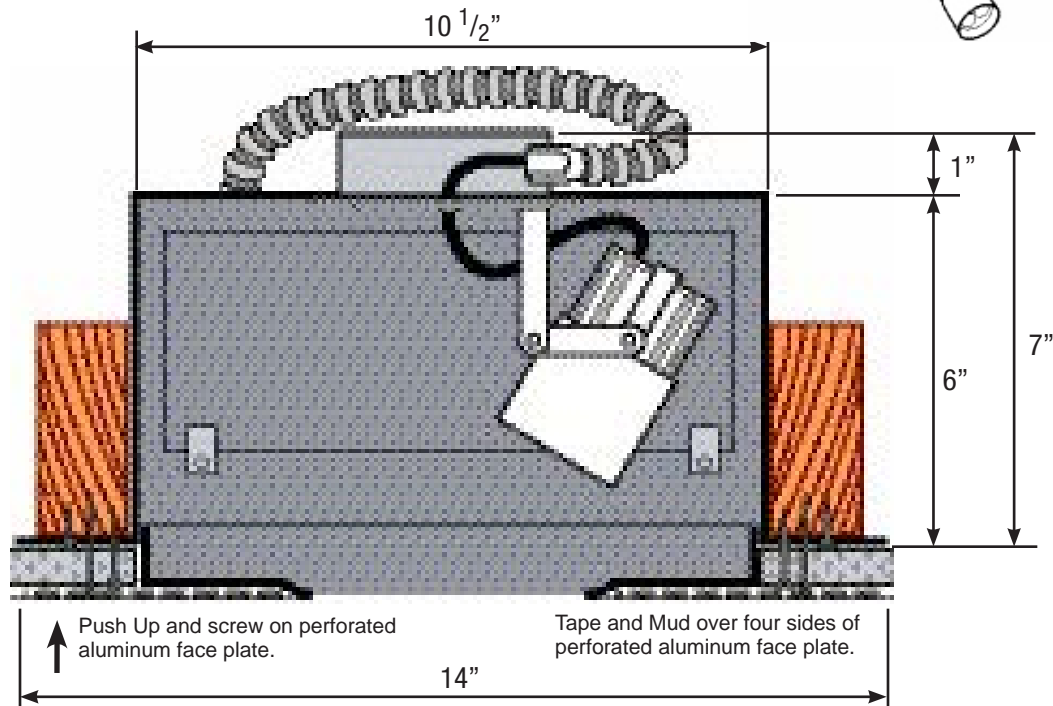
Light-Emitting Diode Lamp is fully Dimmable

1. Prepare ceiling framing opening of approximately **10 1/2" x 18"** for the fixture Housing
2. Connect power leads. One 120V Circuit
3. Install fixture housing into framing
4. Install Gypsum board (Sheetrock)

Continue Instructions on back of this page



Section



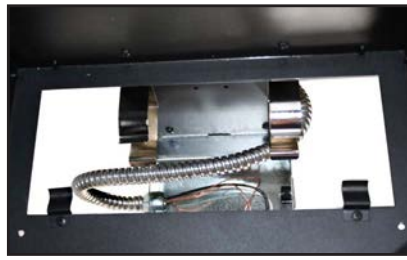
MR1-633-PAR20

8.4W Two LED Recessed Directional 4" Diameter PAR20
Plaster Ceiling Trim-Less Installation Instructions

CLARTÉ™ LIGHTING

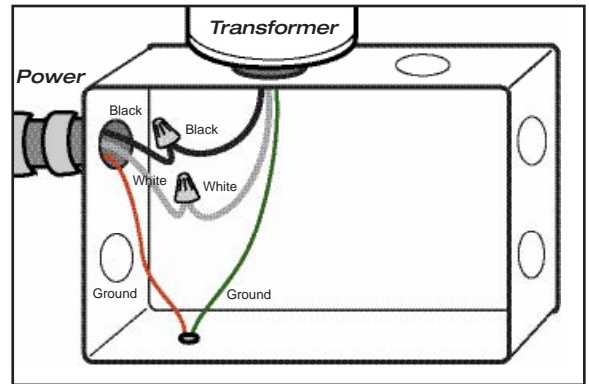


5. Remove Access panel to J-Box and Ballast.

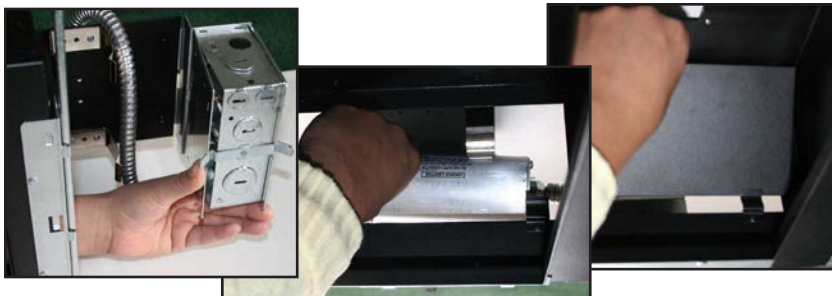


6. Feed Ballast Conduit through top access and connect conduit to J-Box through side access Panel

Wiring Diagram



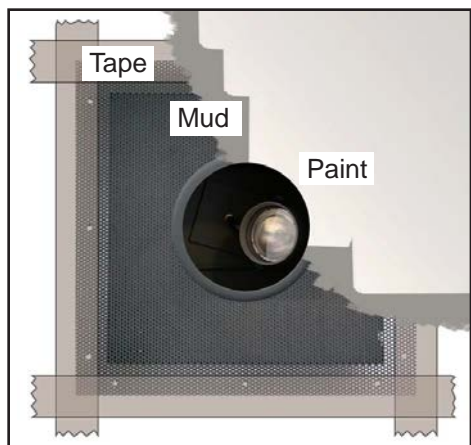
7. Connect ballast black wire to line Black wire. Connect ballast white wire to line white wire. Connect ballast ground wire to line ground wire.



8. Snap Close the J-Box and secure Ballast inside holding clips and replace side panel access cover.



9. If applicable Push up Light Fixture through top housing access and screw Fixture onto top housing access.



10. Install perforated aluminum face plate. Use 2" counter sunk screws provided to attach through holes on face plate.

Tape and Mud over four sides of perforated aluminum face plate. Plaster finish and Paint ceiling to specified color



11. Rotate or adjust light fixture to achieve the desired direction of illumination.

Restore power and check the operation of your new **CLARTÉ** light fixture.